

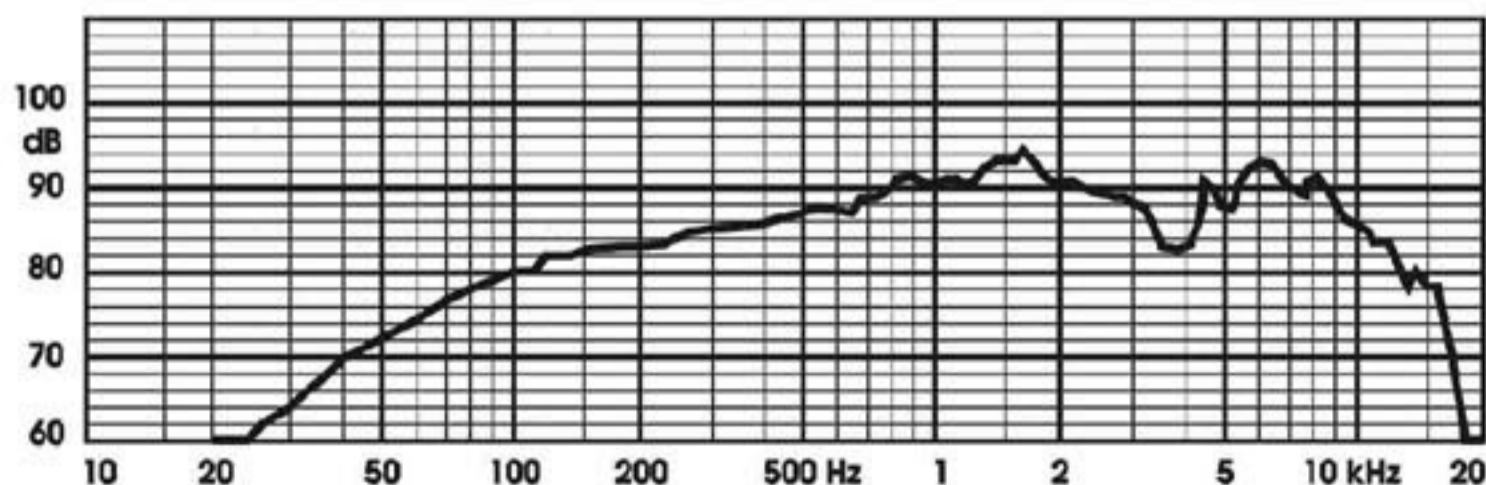
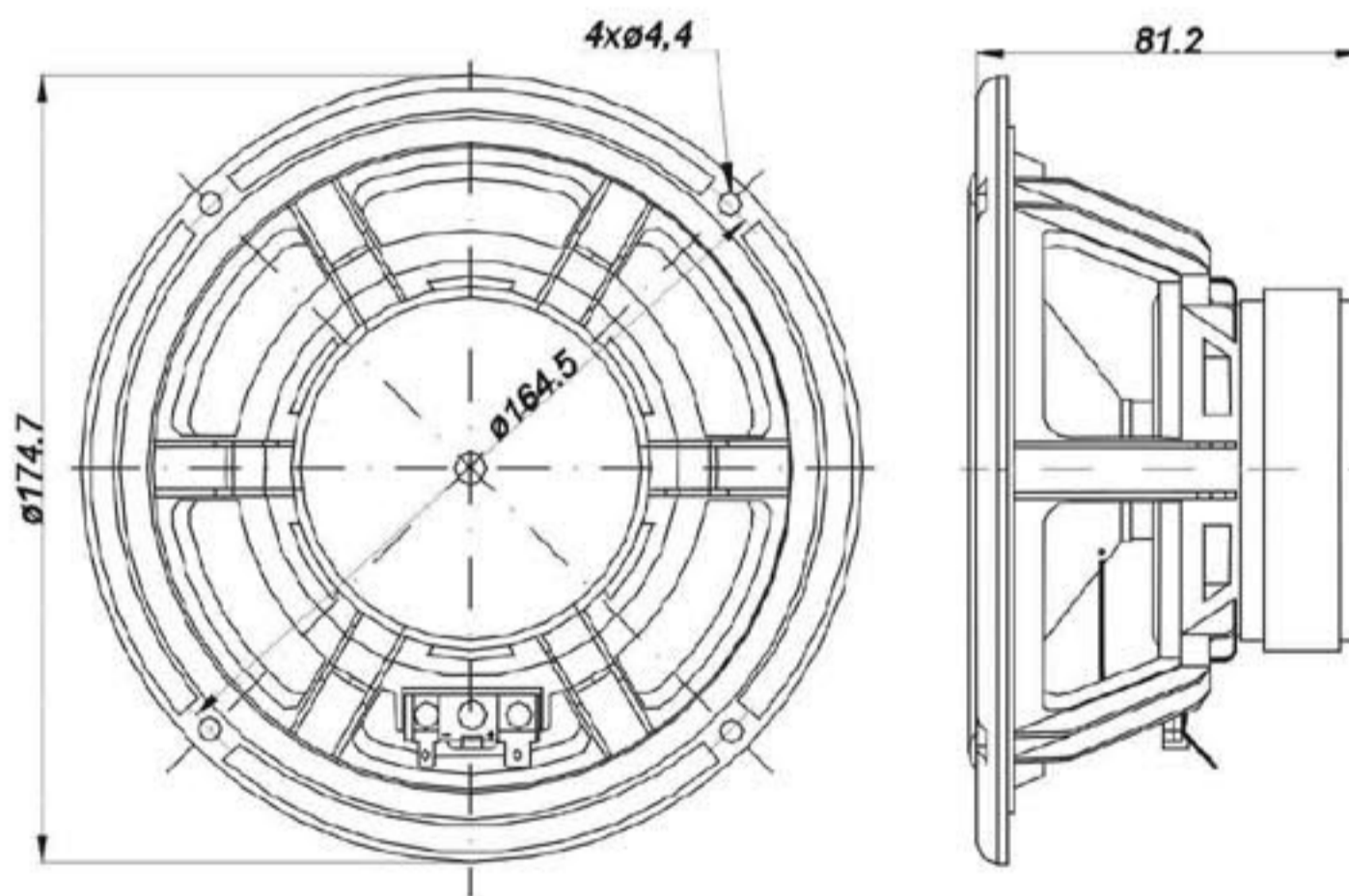
# WOOFER GDN 17/50 mod.

9 5151 ...

## TECHNICAL DATA

Rated impedance	8	$\Omega$
Voice coil resistance	6,8	$\Omega$
Rated frequency range	80 to 10000	Hz
Resonance frequency	47	Hz
Power handling capacity / enclosure 5 dm <sup>3</sup> , 100 h continuous /	50	W
Max. power	65	W
Sensitivity	87	dB
Flux density	0,9	T
Energy in air gap	165,2	mJ
Force factor - Bl	7,5	Tm
Piston area - S <sub>D</sub>	116,9 x 10 <sup>-3</sup>	m <sup>2</sup>
Total moving mass - M <sub>MS</sub>	0,0129	kg
Compliance /loudspeaker unmounted/ - C <sub>MS</sub>	81 x 10 <sup>-5</sup>	m/N
Equivalent box volume - V <sub>AS</sub>	0,0155	m <sup>3</sup>
Quality factor /loudspeaker unmounted/		
- mechanical - Q <sub>MS</sub>	4,3	
- electrical - Q <sub>ES</sub>	0,48	
- total - Q <sub>TS</sub>	0,44	
Air - gap	25/4,6/1	mm
Voice coil height	9,2	mm
Magnet		
- material	ferrite	
- dimensions	90/31/15	mm
- mass	0,22	kg
Mass of loudspeaker	0,88	kg

The loudspeaker has a paper cone, a rubber surround and an aluminium voice coil former.



**FREQUENCY RESPONSE CURVE**

Measured in anechoic room at 1W/1m. Loudspeaker mounted in sealed 5 dm<sup>3</sup> enclosure.

# TONSIL

ul. Czerniejewska 11, 62-300 Września  
phone/fax: (061) 436 05 70, [www.tonsilproducent.pl](http://www.tonsilproducent.pl)

1