

CONE MIDRANGE LOUDSPEAKER GDM 12/60

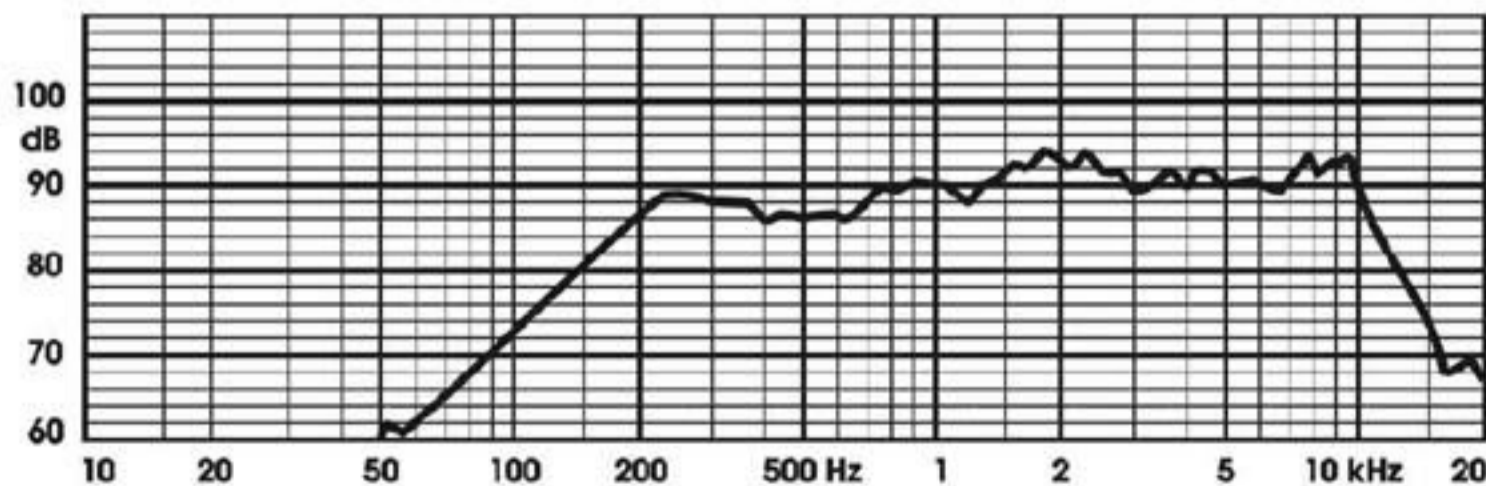
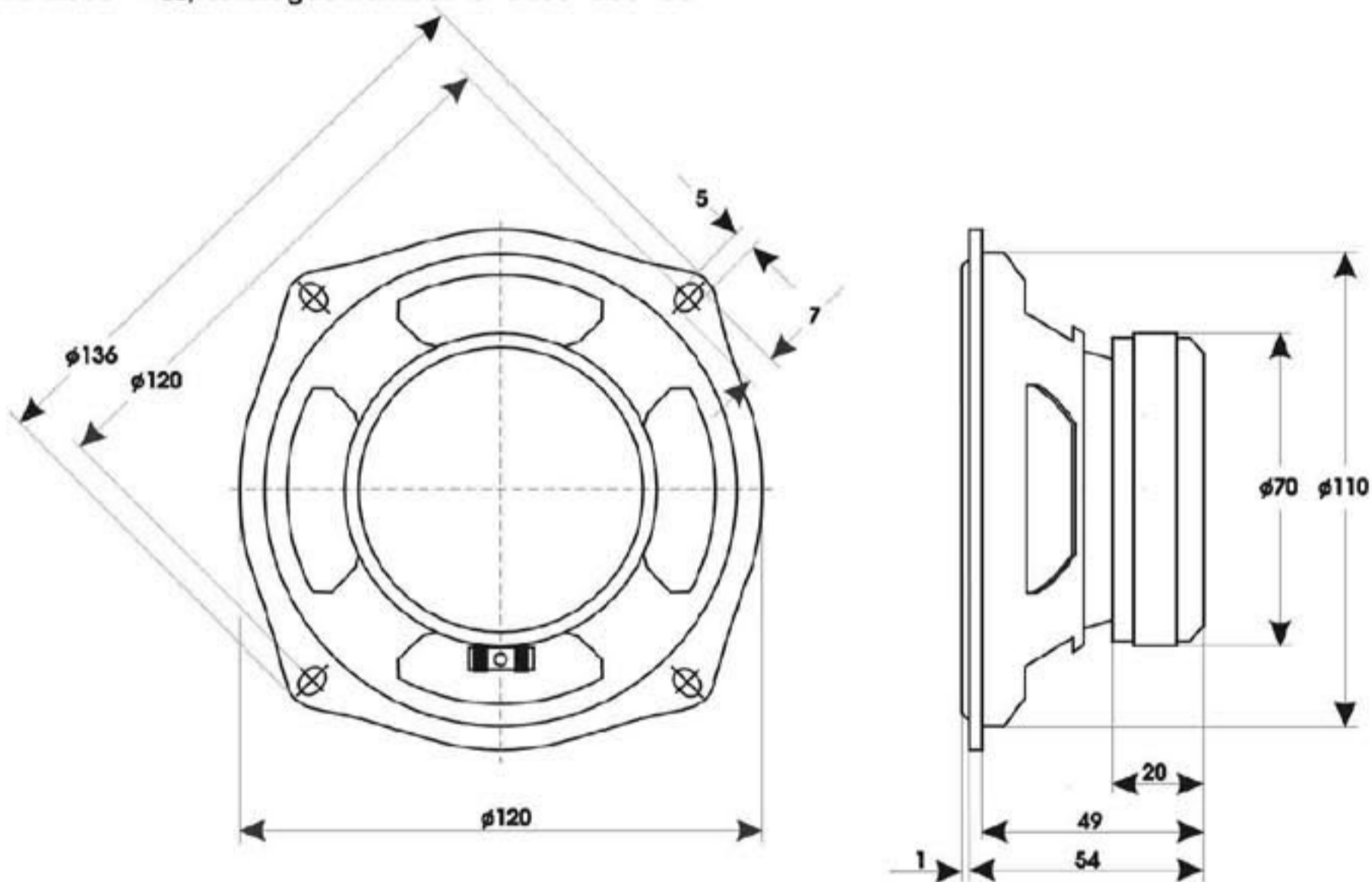
9 5153 006

TECHNICAL DATA

Rated impedance	4	8	Ω
Voice coil resistance	3,3	7	Ω
Rated frequency range	1 to 9		kHz
Resonance frequency	0,25		kHz
Recommended crossover frequency	1		kHz
Power handling capacity, P1/P2 measured with filter	60/18		W
Max. power	90/25		W
Sensitivity	91		dB
Flux density	0,88		T
Energy in air gap	86,3		mJ
Air - gap	20/4,6/0,95		mm
Voice coil height	5,6	6,4	mm
Magnet			
- material	ferrite		
- dimensions	70/32/10		mm
- mass	0,15		kg
Mass of loudspeaker	0,5		kg

AVAILABLE VERSIONS

- GDM 12/60 - 8 Ω , catalogue number 9 5153 006 01
- GDM 12/60 - 4 Ω , catalogue number 9 5153 006 05



FREQUENCY RESPONSE CURVE
Measured in anechoic room at 1W/1m. Loudspeaker mounted
in sealed 5 dm³ enclosure.