

CONE MIDRANGE LOUDSPEAKER GDM 10/60

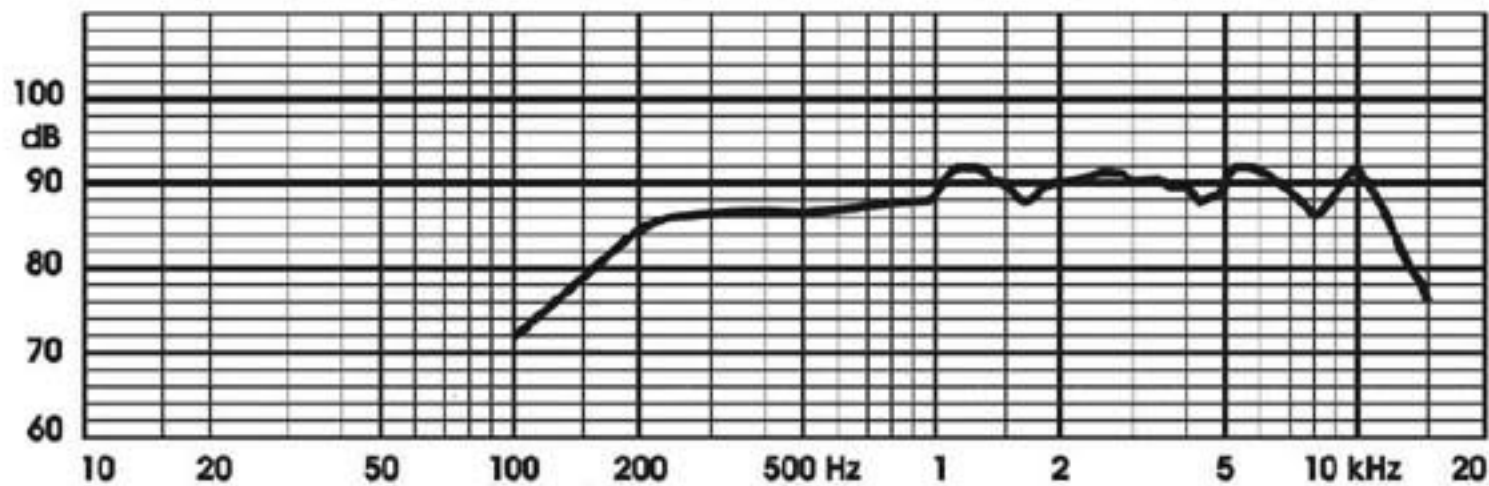
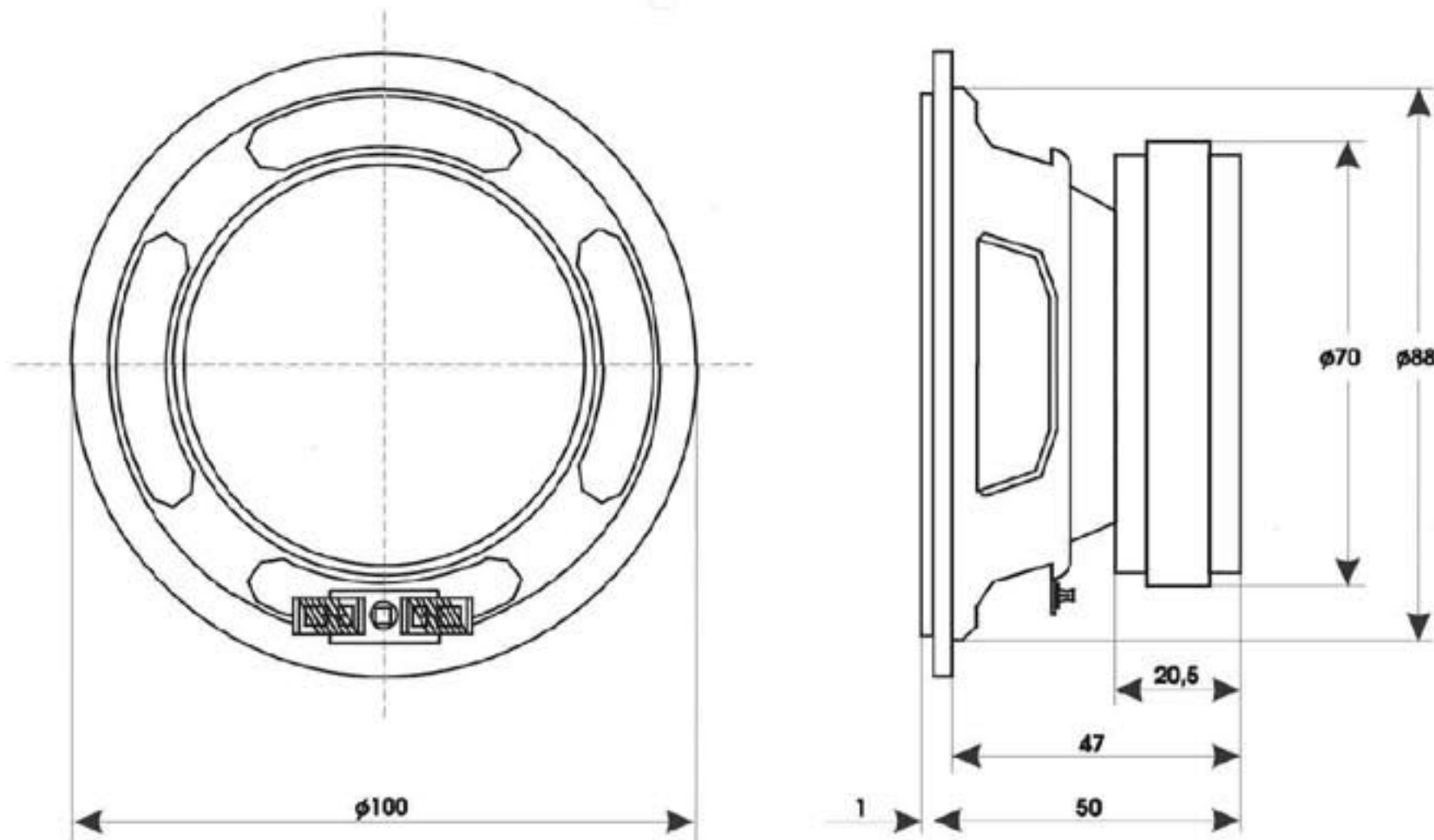
9 5153 003

TECHNICAL DATA

| | |
|--------------------------------------------------------|----------------|
| Rated impedance | 8 Ω |
| Voice coil resistance | 7 Ω |
| Rated frequency range | 1 to 9 kHz |
| Resonance frequency | 0,27 kHz |
| Recommended crossover frequency | 1,5 kHz |
| Power handling capacity, P1/P2 measured with filter | 60/18 W |
| Max. power | 90/25 W |
| Sensitivity | 90 dB |
| Flux density | 0,88 T |
| Energy in air gap | 86,3 mJ |
| Air - gap | 20/4,6/0,95 mm |
| Voice coil height | 6,4 mm |
| Magnet | ferrite |
| - material | |
| - dimensions | 70/32/10 mm |
| - mass | 0,15 kg |
| Mass of loudspeaker | 0,5 kg |

AVAILABLE VERSIONS

- GDM 10/60 - 8 Ω , catalogue number 9 5153 003 01



FREQUENCY RESPONSE CURVE
Measured in anechoic room at 1W/1m. Loudspeaker mounted on IEC baffle