

# FULL RANGE LOUDSPEAKER GD 16/25

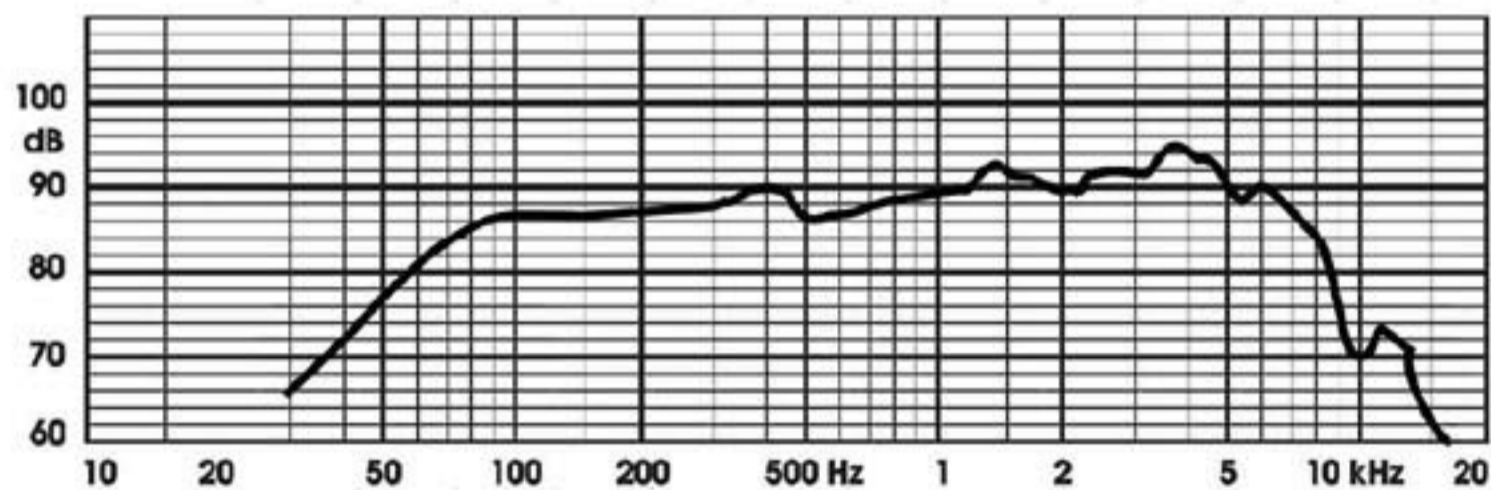
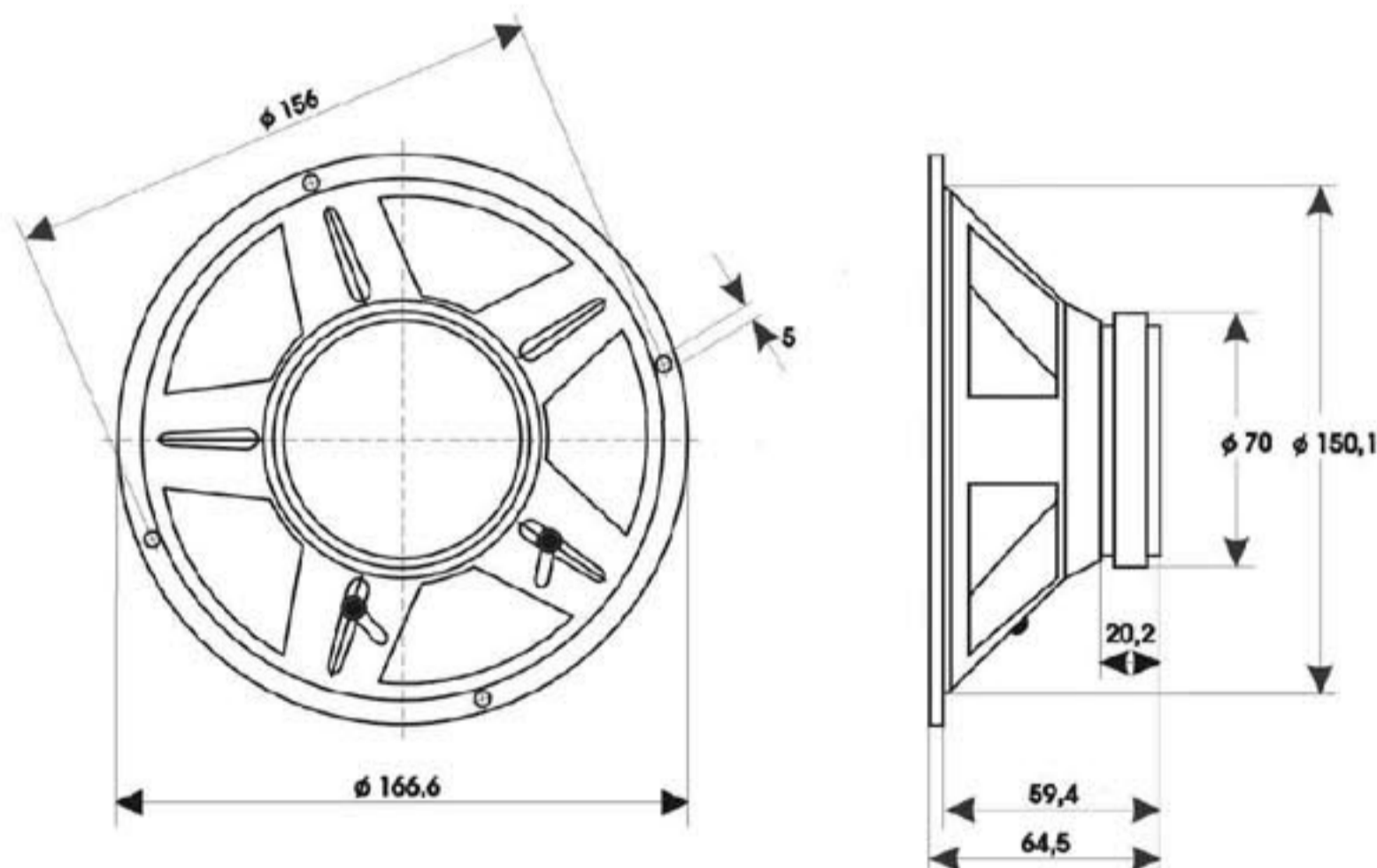
9 5157 005

## TECHNICAL DATA

|   |            |      |          |
|---|------------|------|----------|
| Rated impedance   | 4          | 8    | $\Omega$ |
| Voice coil resistance   | 3,2        | 6,8  | $\Omega$ |
| Rated frequency range   | 85 to 8000 |      | Hz       |
| Resonance frequency   | 65         |      | Hz       |
| Power handling capacity,<br>/in sealed 9 dm <sup>3</sup> enclosure/ | 25         |      | W        |
| Max. power  | 35         |      | W        |
| Sensitivity   | 91         |      | dB       |
| Flux density  | 0,75       |      | T        |
| Energy in air gap   | 109,5      |      | mJ       |
| Air - gap   | 25/6/1     |      | mm       |
| Voice coil height   | 6,5        | 10,3 | mm       |
| Magnet  | ferrite    |      |          |
| - material  | 70/32/10   |      | mm       |
| - dimensions  | 0,15       |      | kg       |
| - mass  | 0,6        |      | kg       |
| Mass of loudspeaker   |            |      |          |

## AVAILABLE VERSIONS

- GD 16/25 - 8  $\Omega$  , catalogue number 9 5157 005 01
- GD 16/25 - 4  $\Omega$  , catalogue number 9 5157 005 05



### FREQUENCY RESPONSE CURVE

Measured in anechoic room at 0,1W/0,5m. Loudspeaker mounted in sealed 9 dm<sup>3</sup> enclosure