

CONE MIDRANGE LOUDSPEAKER GDM 16/80/1

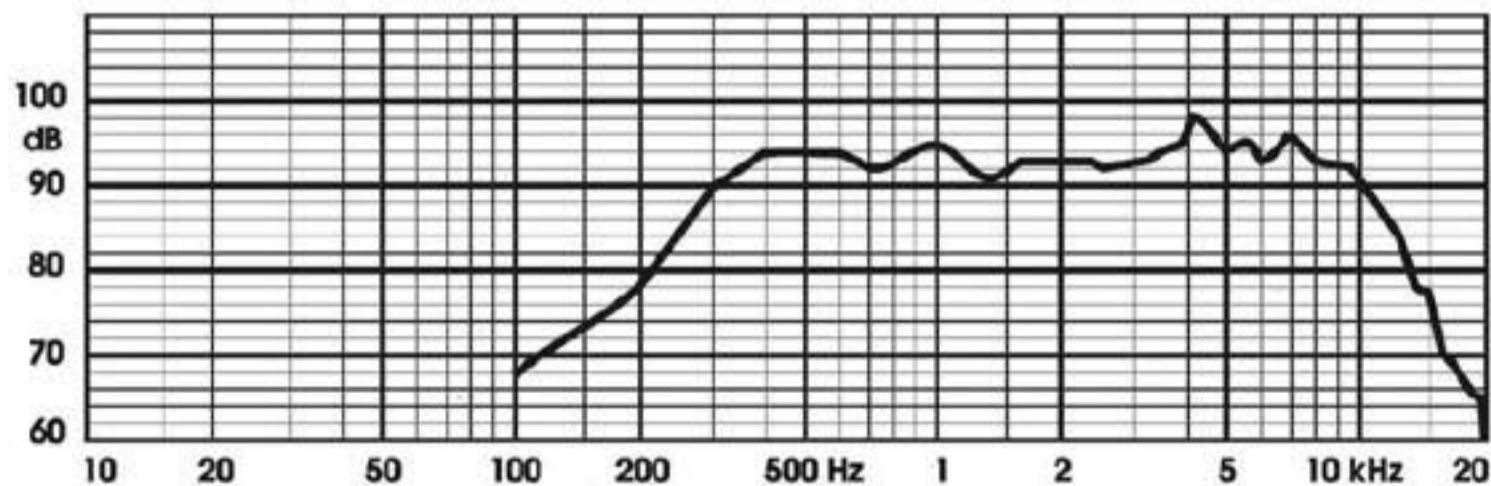
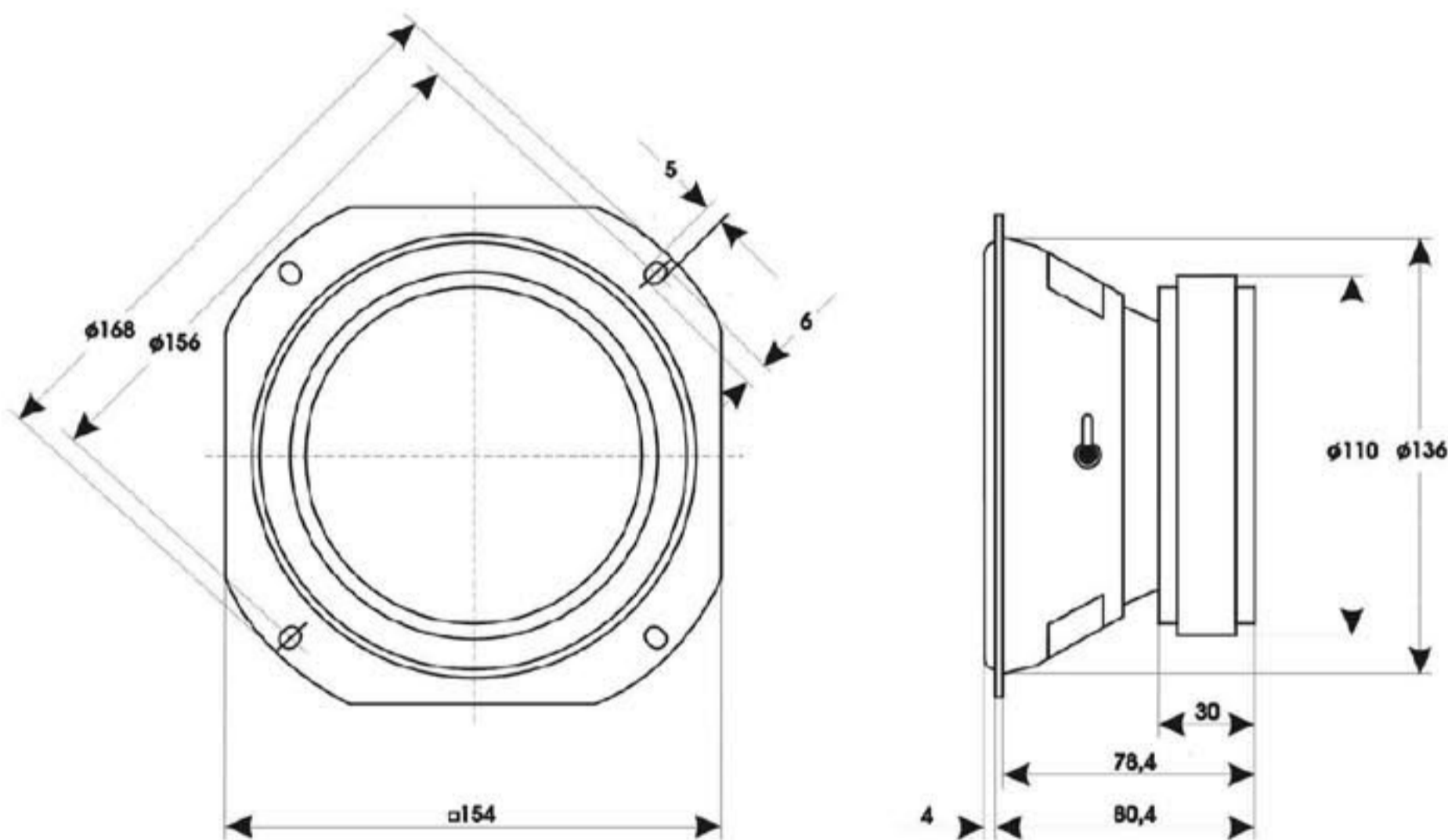
9 5153 017

TECHNICAL DATA

Rated impedance	8	Ω
Voice coil resistance	7	Ω
Rated frequency range	0,7 to 9	kHz
Resonance frequency	0,4	kHz
Recommended crossover frequency	1	kHz
Power handling capacity, P1/P2 measured with filter	80/30	W
Max. power	120/45	W
Sensitivity	94	dB
Flux density	1,06	T
Energy in air gap	337,9	mJ
Air - gap	35/6/1,2	mm
Voice coil height	7,5	mm
Magnet	ferrite	
- material	110/60/18	mm
- dimensions	0,6	kg
- mass	1,8	kg
Mass of loudspeaker		

AVAILABLE VERSIONS

- GDM 16/80/1 - 8Ω, catalogue number 9 5153 017 01



FREQUENCY RESPONSE CURVE
Measured in anechoic room at 1W/1m. Loudspeaker mounted
in sealed 6,7dm³ enclosure.